

# MAGNUM

## Model CFPS-700

### Semi-Automatic Case Former & Pack Station

Manually forming boxes wastes labor time and can require storage space and extra handling. The Magnum CFPS-700 is an integral semi-automatic case forming machine and packing station designed to form and hold boxes as they are packed and transferred for processing. The machine will fold all four bottom flaps and hold cases securely for packing to increase productivity and reduce operator strain.

The machine features heavy duty steel construction and a powder coated frame to ensure long operating life. The flap folding operation is performed pneumatically with reliable air logic.



### Simple and Reliable Operation



Magnum 700 shown with pusher and Magnum 2300 case sealer with additional flap folder option

### A Single Operator Can Do the Work of Three

The CFPS-700 acts as a hold down table, freeing the operator's hands for packing up to 45 pounds of product into the formed case.

When interfaced with a carton sealer, a single operator can easily achieve a throughput rate of up to 15 cases per minute for greatly improved productivity.

## HIGHLIGHTS

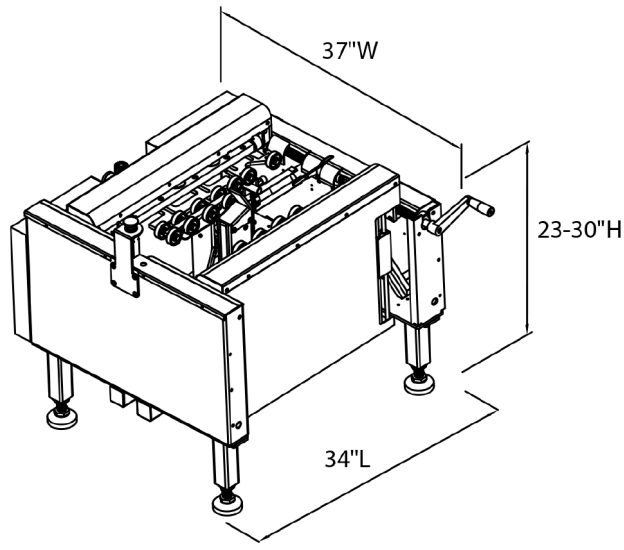
- » Simple and efficient operation allows cases to be formed as they are needed and triples operator efficiency
- » Interfaces with any Highlight carton sealer for flexibility and maximized productivity
- » Adjusts to different case sizes easily so you can pack a variety of products
- » Full pneumatic operation eliminates the need for electricity, sensors, and a PLC

# SIMPLE CONTROLS



- Start Button
- Centrally Located Emergency Stop Button
- Power Indicator Light
- Hand Crank to adjust Side Guides

# MAGNUM CFPS-700 DIMENSIONS



# CASE SIZE SPECIFICATIONS

\*For other case size requirements consult your local distributor

Case Size Range	
Length	Minimum 8" 200mm
	Maximum 26" 660mm
Width	Minimum 6" 150mm
	Maximum 20" 510mm
Height	Minimum 3" 75mm
	Maximum No Limit
Infeed/Outfeed Height	
Minimum	24" 610mm (with adjustable leg extensions)
Maximum	30" 760mm

Contact:

# PACKING A CASE IS AS EASY AS 1, 2, 3

In three simple motions, cases can be easily formed and packed for increased productivity.

- The operator opens a flat case and presses it into the Magnum 700
- The bottom minor flaps are folded, followed rapidly by the major flaps, forming the bottom
- The case is held down in position while the operator's hands are free to pack

Once packed, an optional automatic case eject feature can be used to fold the top rear flap and push the case into any attached Highlight case sealer. The Magnum 2300 case sealer may be paired with the 700 to fold the remaining top flaps and seal the case.

1. Insert Box	2. Fold Flaps	3. Load Product

\*Product shown with optional casters

# SYSTEM FEATURES & SPECIFICATIONS

## Standard Features:

- Pre-opens major flaps then folds all flaps sequentially for reliable jam-free operation
- Erected cases are supported on rollers for smooth case ejecting
- Three box contact points are used to start cycle, ensuring operator efficiency
- Simple crank handle and locking knob adjustment provide quick size changeover
- All pneumatic operation eliminates the need for electricity, sensors, and a PLC
- Wedge rollers are engineered to hold the folded case securely for easy packing
- Easily integrated with any Magnum Case Sealer

## Construction:

- Heavy duty corrosion resistant steel construction
- Formed steel sheet metal covers
- Hard wearing powder coated finish
- Designed to minimize maintenance

## Air Requirements:

•80 psi, 3 cfm

## Speed:

•Up to 15 Cases per Minute

## Shipping Dimensions:

- 385 Pounds
- 40"L x 40"W x 48"H



2694 Prairie SW  
Wyoming, Michigan 49519  
800-531-2465